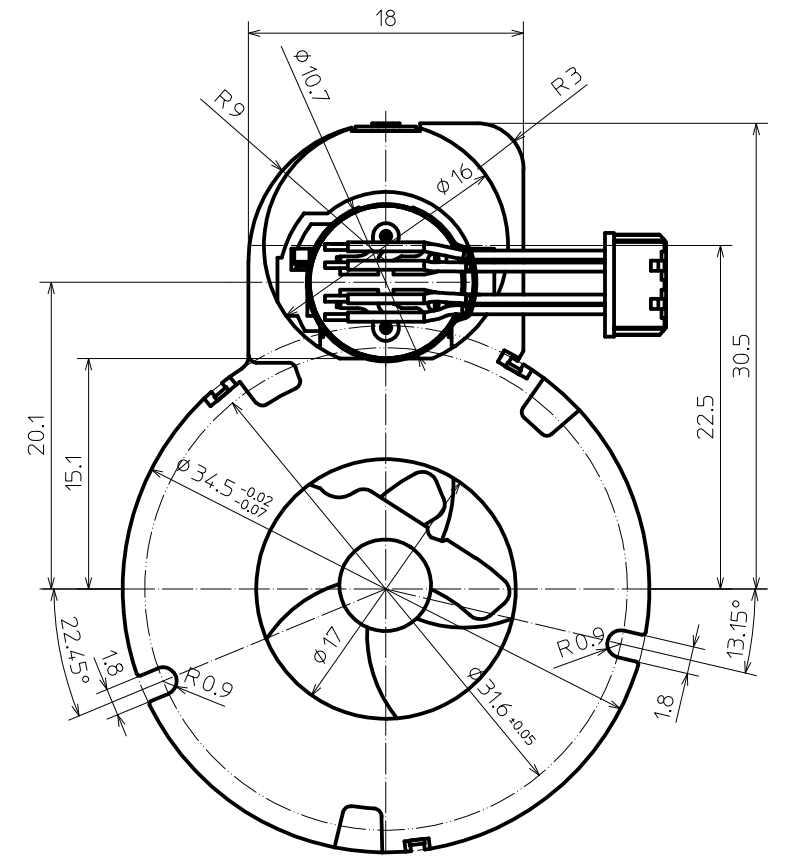
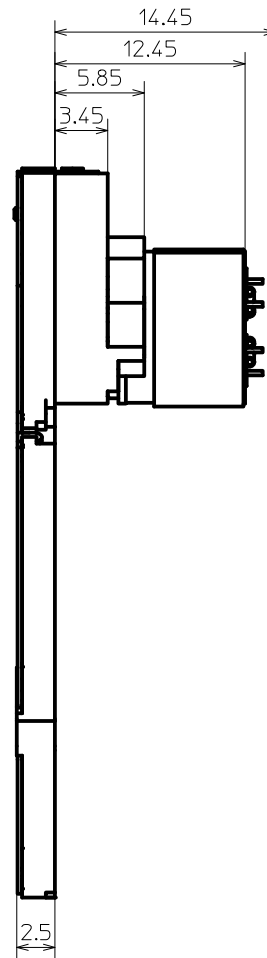
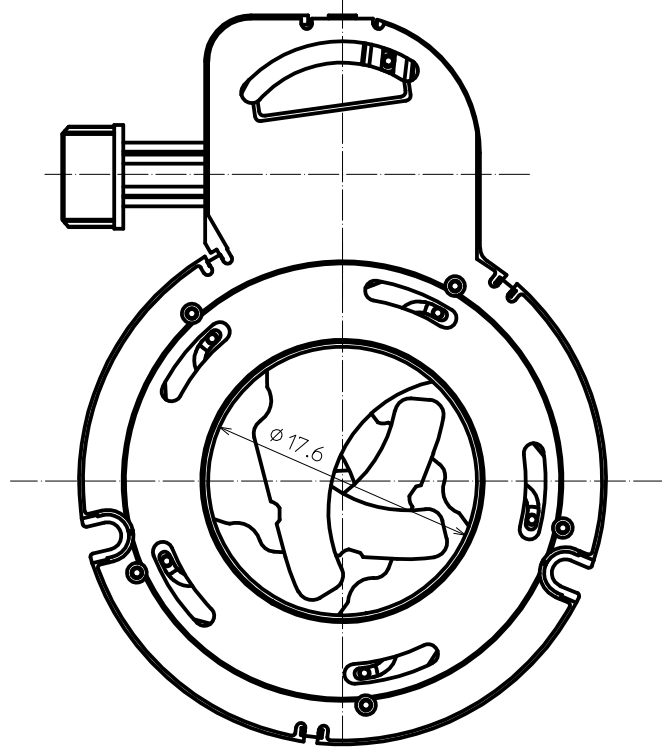
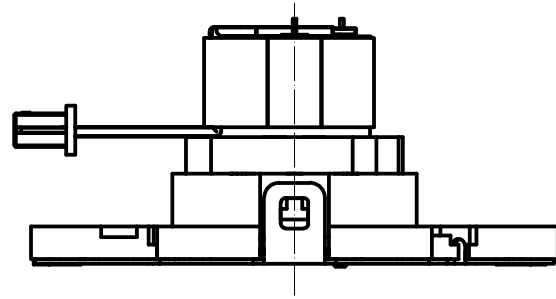


2. Radii to be R0.5 max unless otherwise specified.  
 1. Unless otherwise specified dimension are in millimeters tolerances on  $\pm 0.1$ , angle  $\pm 1^\circ$ .

Note



SURFACE TREATMENT		ANNEAL		SURFACE ROUGHNESS 1.6		SCALE 5:1	
						MATERIAL	
		DATE		NAME		DRAWING-NAME	
		DRAWN 13/04/17		M.Motahashi		N170DDC	
		EXAM.				Appearance Drawing	
		APPR. 13/04/17		Y.Takada		DRAWING-NUMBER	
				New Asia Optical Industry		NA08-0801 /01	
01		New drawing		13/04/17		Y.T	
INDEX	DESCRIPTION	DATE	NAME			SHEET OF	